

# BACview<sup>6</sup>

Ideal for Small Facilities or Local Access



BACview<sup>6</sup> is an easy-to-use operator display for managing a small facility or local access of controllers and operational properties. It simply plugs into an Rnet connection and allows you to display and modify controller data locally without any computer software. The BACview<sup>6</sup> panel can be located up to 500 ft. from the control panel.

BACview<sup>6</sup> lets you customize the building properties for each project using industry standard HTML. Data is retrieved to a backlit LCD display. Access can be password protected.

BACview<sup>6</sup> connects to the Rnet port of ME and SE control modules, and can share the Rnet with up to five RS sensors. It features a numeric keypad, directional keys, and four programmable function keys. A large 4 line by 40 character backlit LCD display is provided for easy reading even in poor lighting conditions. The device also includes an alarm indicator light and audible warning.

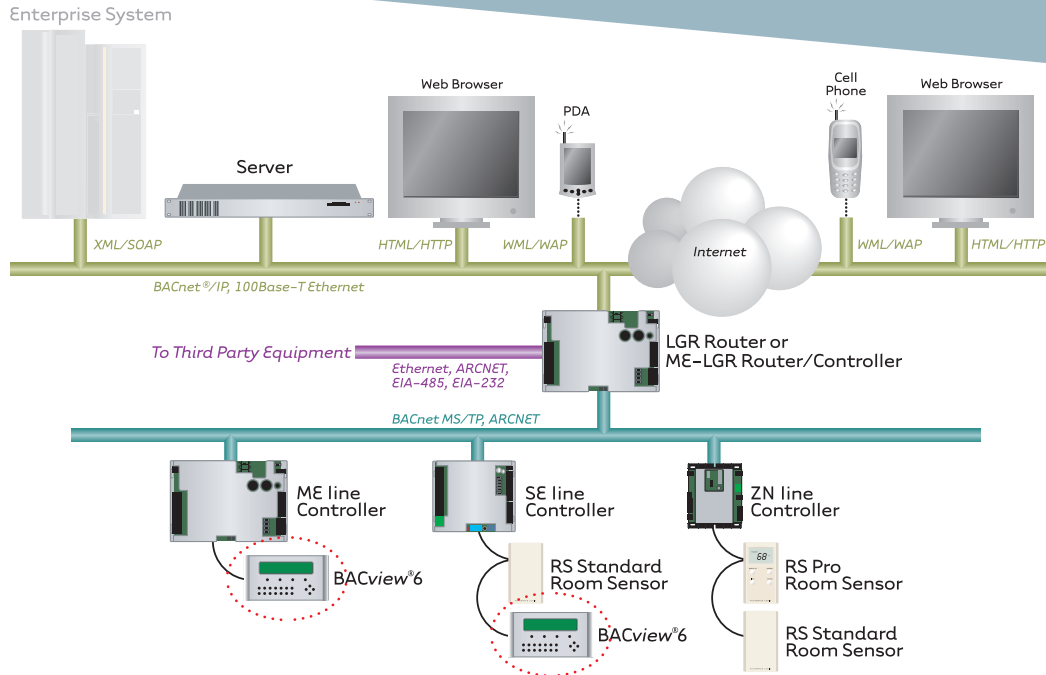
## Key Features and Benefits

- Simple to use local access panel – compatible with ME and SE controllers.
- Can be remotely mounted and can share Rnet with RS sensors.
- Backlit LCD display enhances reading even in poor lighting conditions.
- Industry-standard Hypertext Markup Language (HTML) simplifies custom displays and menus.
- Password protection delivers security.
- Flexible design allows panel or wall mounting.

**AUTOMATEDLOGIC**<sup>®</sup>  
CORPORATION

# BACview6

## Specifications



|                                |  |
|--------------------------------|--|
| Power:                         | Supplied by the 4 conductor cable (+12 Vdc @ 250 mA).  |
| Backlit LCD Display:           | Features a 4 line by 40 character display.   |
| Hardware Compatibility:        | SE line and ME line control modules.   |
| Environmental Operating Range: | 32° - 120°F (0.0° to 48.9°C), 10-90% RH non-condensing.  |
| Protection:                    | Provides 15KV ESD protection to the enclosure.   |
| Listed by:                     | UL916, CE, FCC Part 15 - Subpart B - Class A.  |
| Weight:                        | 1.2 lb. (0.54 Kg)  |
| Mounting:                      | Wall or panel mounting. Remote mounting up to 500 ft. is via 18 AWG cable terminated to a 4 position pluggable terminal. Standard 'J' box may be used. |
| Dimensions:                    | 9-5/8" (width) by 4-15/16" (height) by 1" (depth).<br>245mm (width) by 125mm (height) by 25mm (depth).   |

